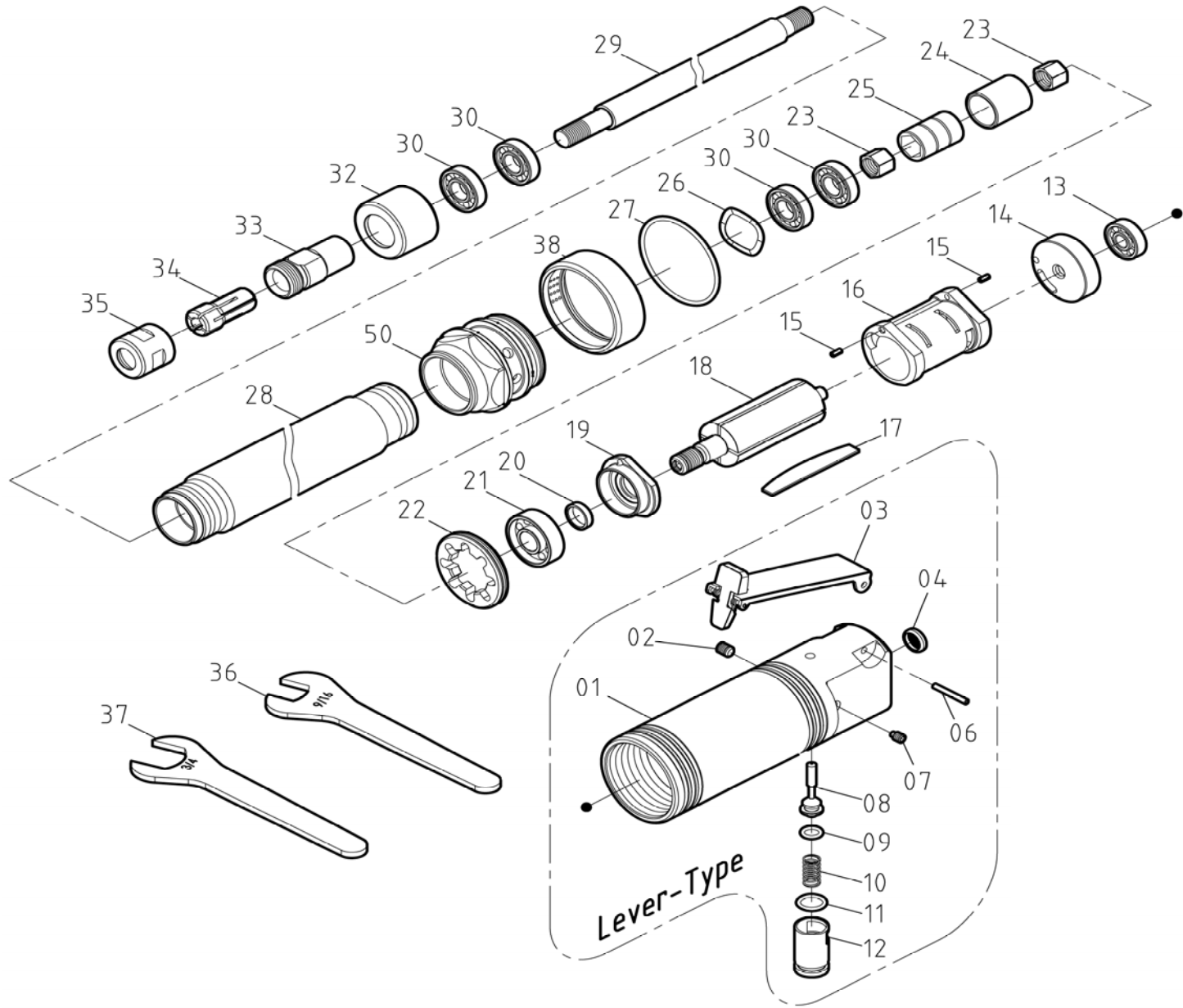


Model No. A11-L8802

INDUSTRIAL 12" AIR EXTENSION DIE GRINDER



Part No.	Description	Q'ty	Part No.	Description	Q'ty
1	Housing	1	22	Cylinder Set Screw	1
2	Screw	1	23	Lock Nut	2
3	Trigger	1	24	Bushing	1
4	Air Strainer	1	25	Drive Bushing	1
6	Spring Pin	1	26	Wave Washer	1
7	Screw	1	27	O-Ring	1
8	Pin Valve Rod	1	28	Front Casing	1
9	O-Ring	1	29	Anvil	1
10	Spring	1	30	Ball Bearing	4
11	O-Ring	1	32	Lock nut	1
12	Reverse Valve	1	33	Bushing	1
13	Ball Bearing	1	34	Chuck (Ø 6 mm)	1
14	Rear Plate	1		Chuck (Ø 8 mm)	1
15	Spring Pin	2	35	Lock Nut	1
16	Cylinder	1	36	Wrench	1
17	Blade	4	37	Wrench	1
18	Rotor	1	38	Exhaust Deflector	1
19	Front Plate	1	50	Exhaust Deflector	1
20	Washer	1			
21	Ball Bearing	1			