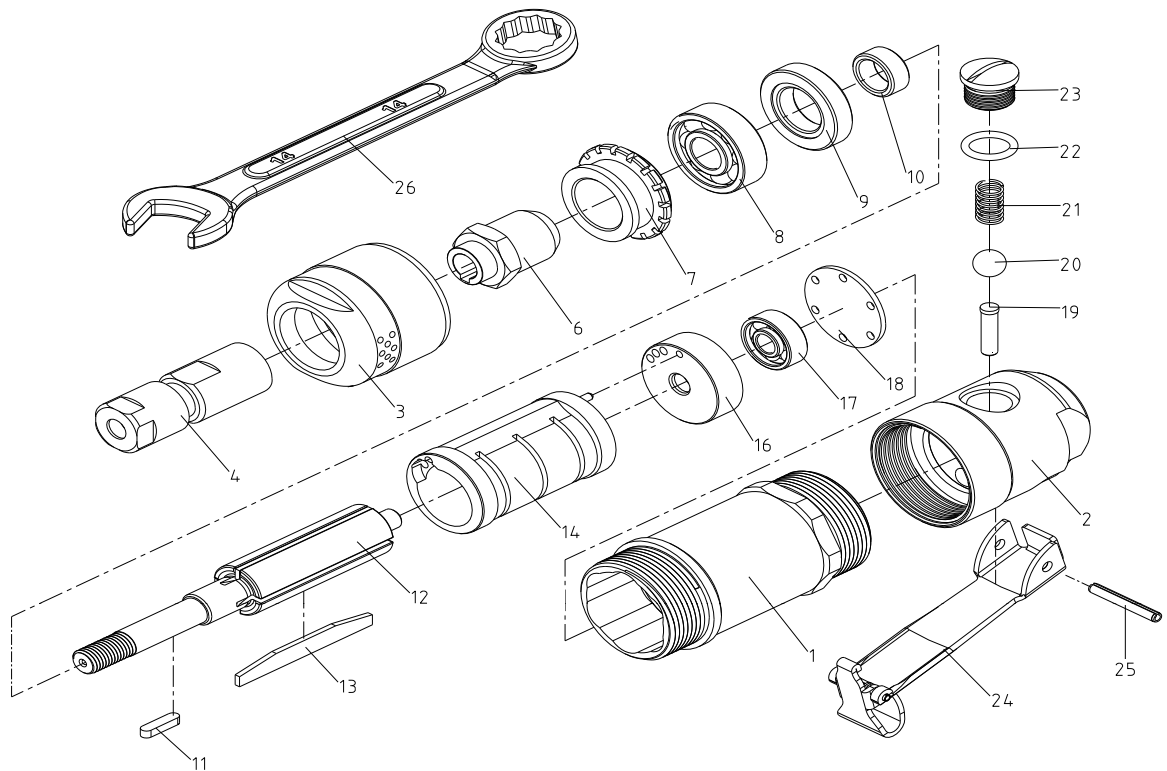


Model No. A11-K0955

INDUSTRIAL 6MM AIR DIE GRINDER(LEVER TYPE)



Part No.	Descrizione	Prezzo (€)	Qty	Part No.	Descrizione	Qty	Prezzo (€)
1	Housing	17,9	1	14	Cylinder Ass'y	1	24
2	Valve Bushing	25,38	1	16	Rear End Plate	1	8,38
3	Housing Cap	8,66	1	17	Ball Bearing	1	3,9
4	Collets Ass'y(6mm)	13,24	1	18	Protector Cover	1	1
6	Collets Holder	9,42	1	19	Valve Stem	1	0,9
7	Protector Cover	4,2	1	20	POM ball	1	2,1
8	Ball Bearing	3,42	1	21	Spring	1	0,2
9	Front End Plate	2,58	1	22	O-Ring	1	0,1
10	Socket	2,1	1	23	Screw	1	1
11	Key	0,5	1	24	Throttle Lever	1	3,9
12	Rotor	15,44	1	25	Pin	1	0,1
13	Rotor Blade	0,5	4	26	Wrench (14mm)	2	1,62